

A

B

C

D

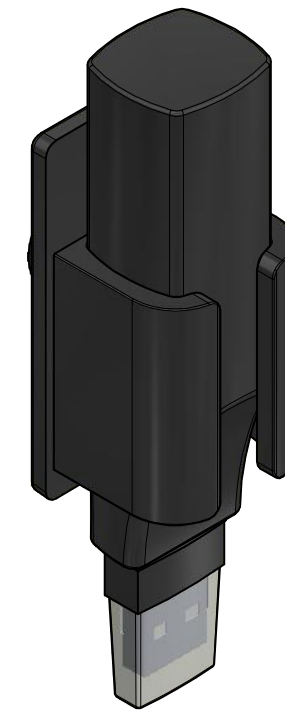
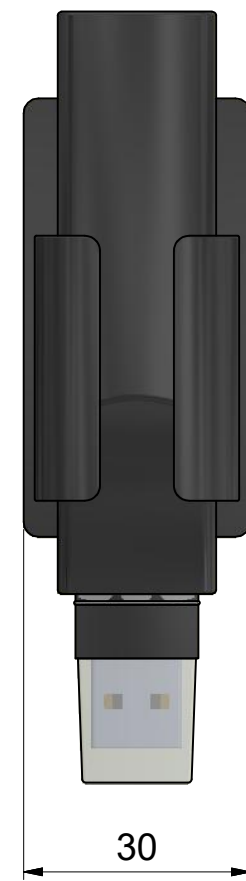
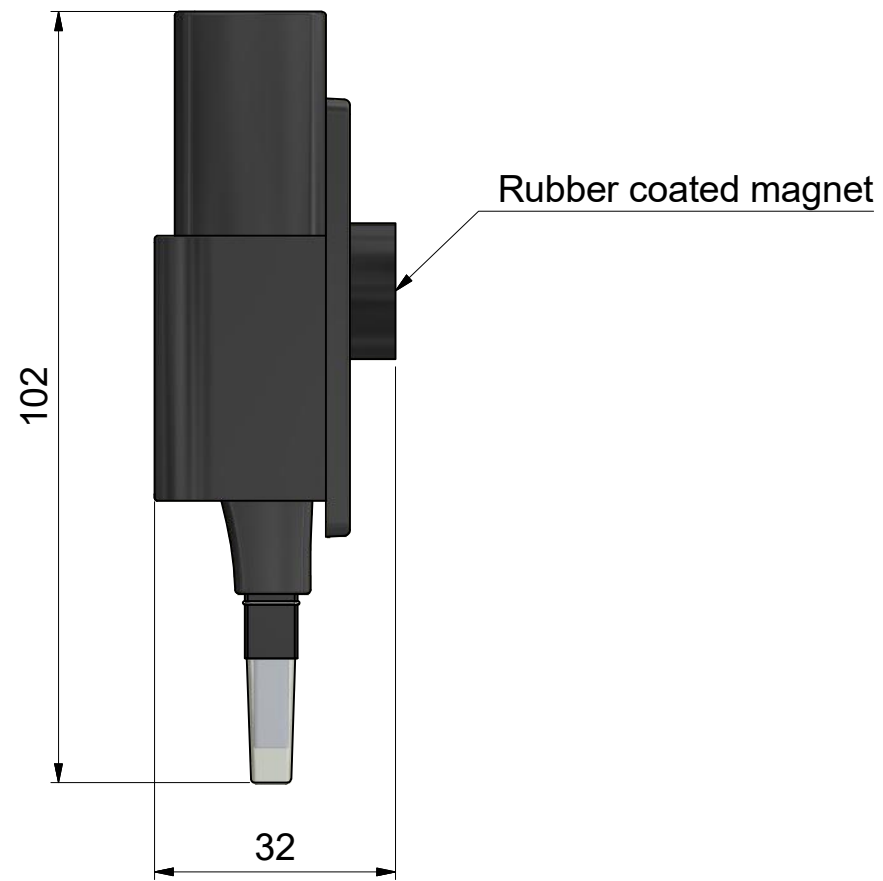
E

F

G

H

i



Pos.	Beskrivning/Description	Datum/Date	Sign.
------	-------------------------	------------	-------

Material		-		Ytjämnhet R _a		-	
Ytbehandling		-		Surface roughness R _a		-	
Konstruktör		MAX		Godkänd av		[Signature]	
Designer		MAX		Approved by		[Signature]	
Datum		2018-03-12		Datum		2018-03-29	
Date		2018-03-12		Date		2018-03-29	
Generell tolerans				SS-ISO 2768			
General tolerance				-			
Vyplacering				[Symbol]			
View placement				[Symbol]			
Format				A3			
Sida				1 (1)			
Page				1 (1)			
Benämning		Meax Temperaturelogger					
Description		Meax Temperaturelogger					
Ritningsnummer		D-0130				Rev.	
Drawing number		D-0130				-	