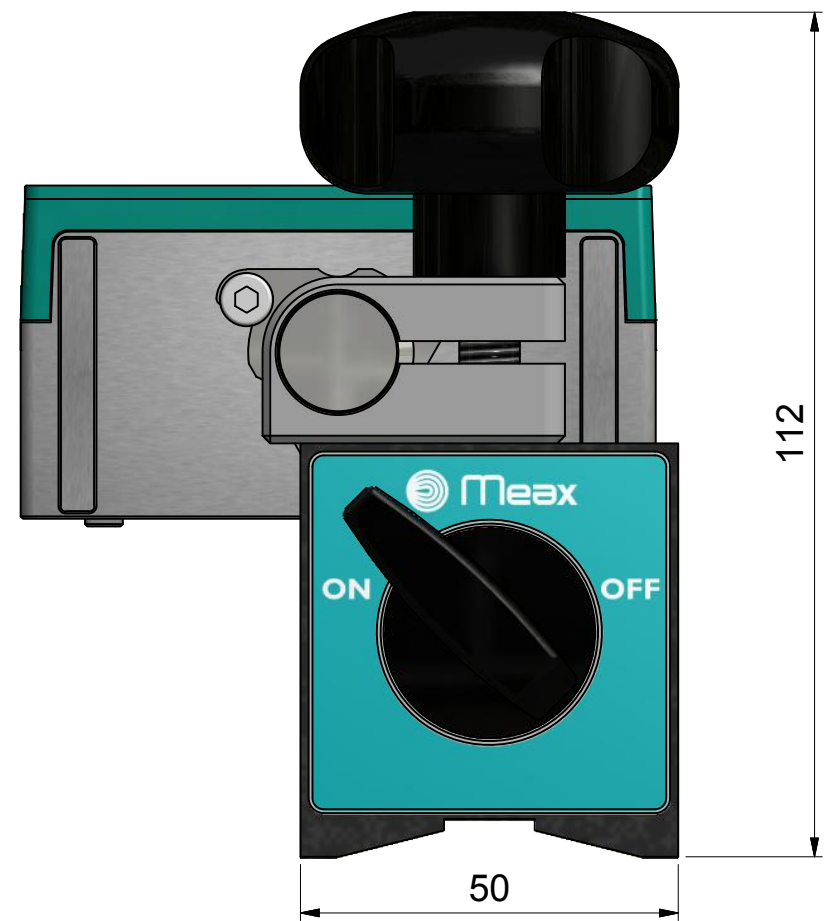
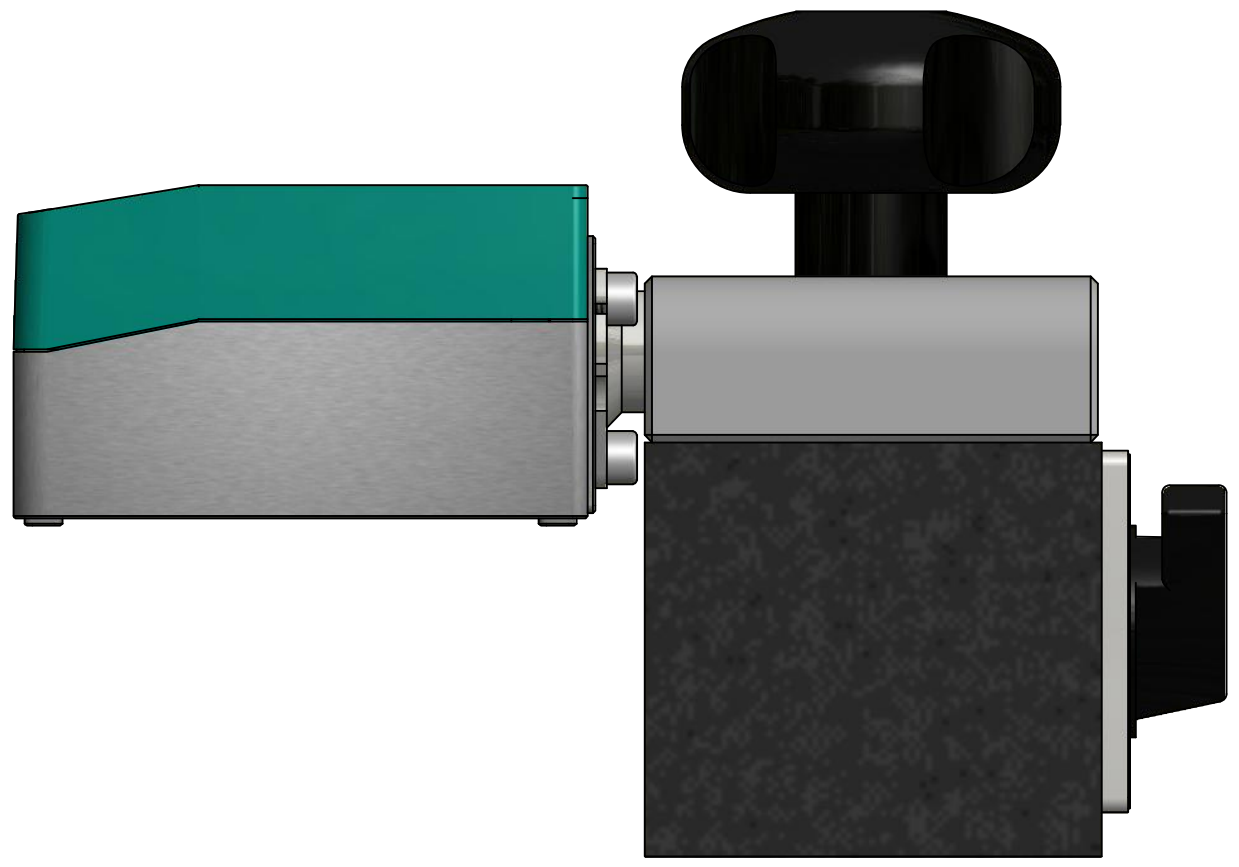
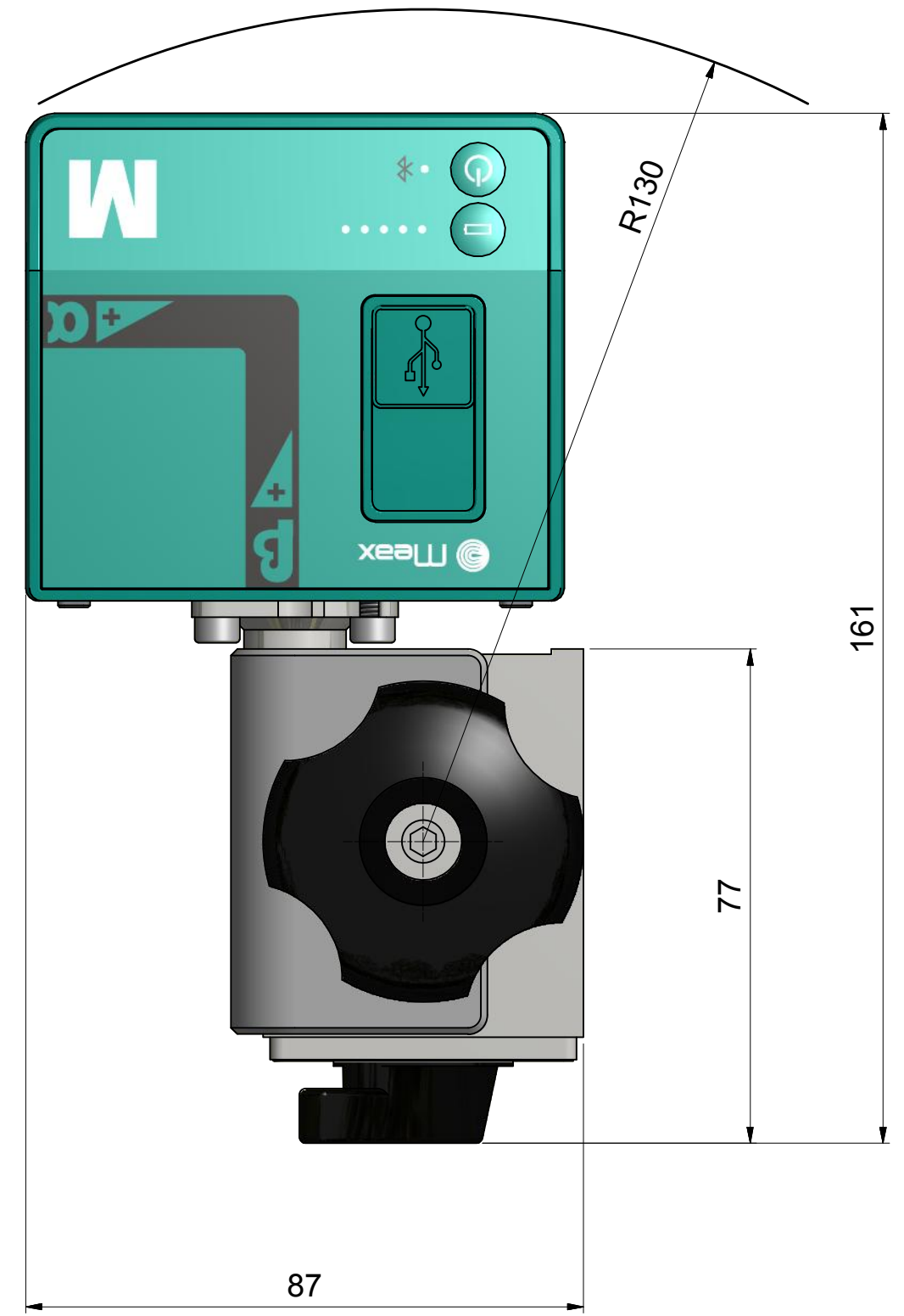


A  
B  
C  
D  
E  
F  
G  
H  
i



Swiveled 360° is possible



Material		-		Ytjämnhet R <sub>a</sub>		-	
Ytbehandling		-		Surface roughness R <sub>a</sub>		-	
Surface treatment		-				Skala	
						Scale	
Konstruktör	MAX	Godkänd av	<i>ckp</i>	Generell tolerans	Vyplacering		
Designer		Approved by		General tolerance	View placement		
Datum	2015-06-01	Datum	2015-06-02	SS-ISO 2768	Format		A3
Date		Date			Sida		1(1)
				Benämning		Meax Magnet base	
				Description			
				Ritningsnummer		D-0107	
				Drawing number			
				Rev.		-	

Pos.	Beskrivning/Description	Datum/Date	Sign.
------	-------------------------	------------	-------