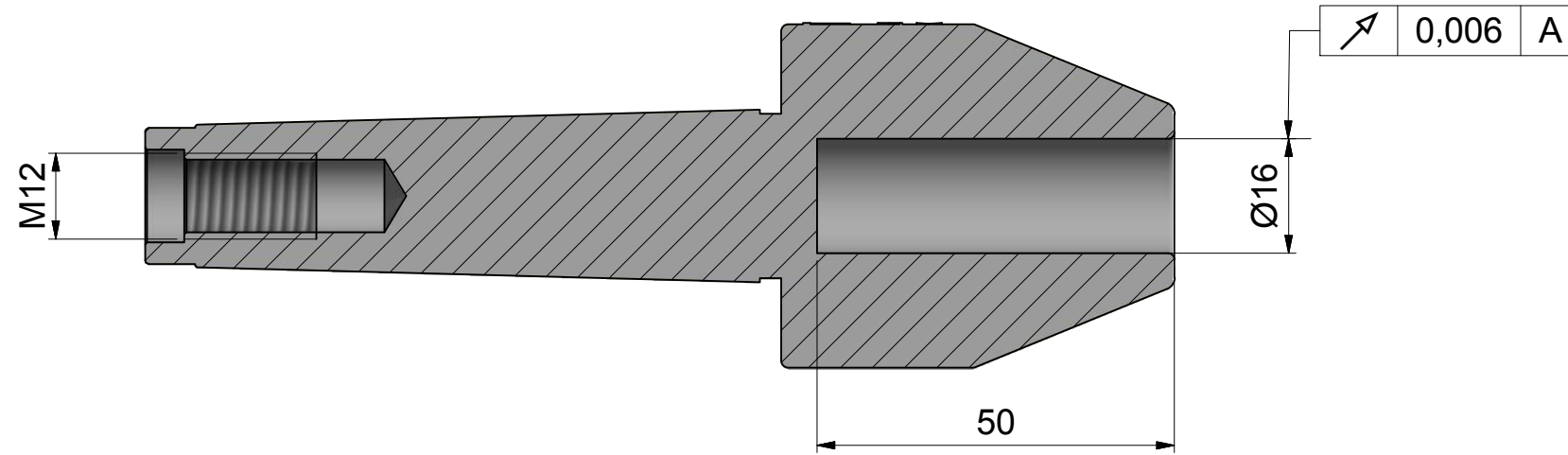
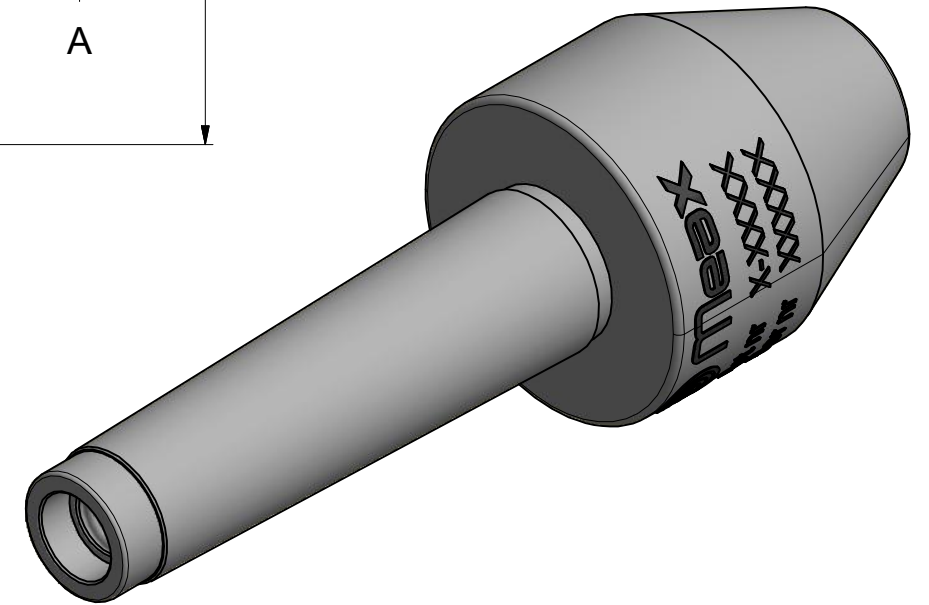
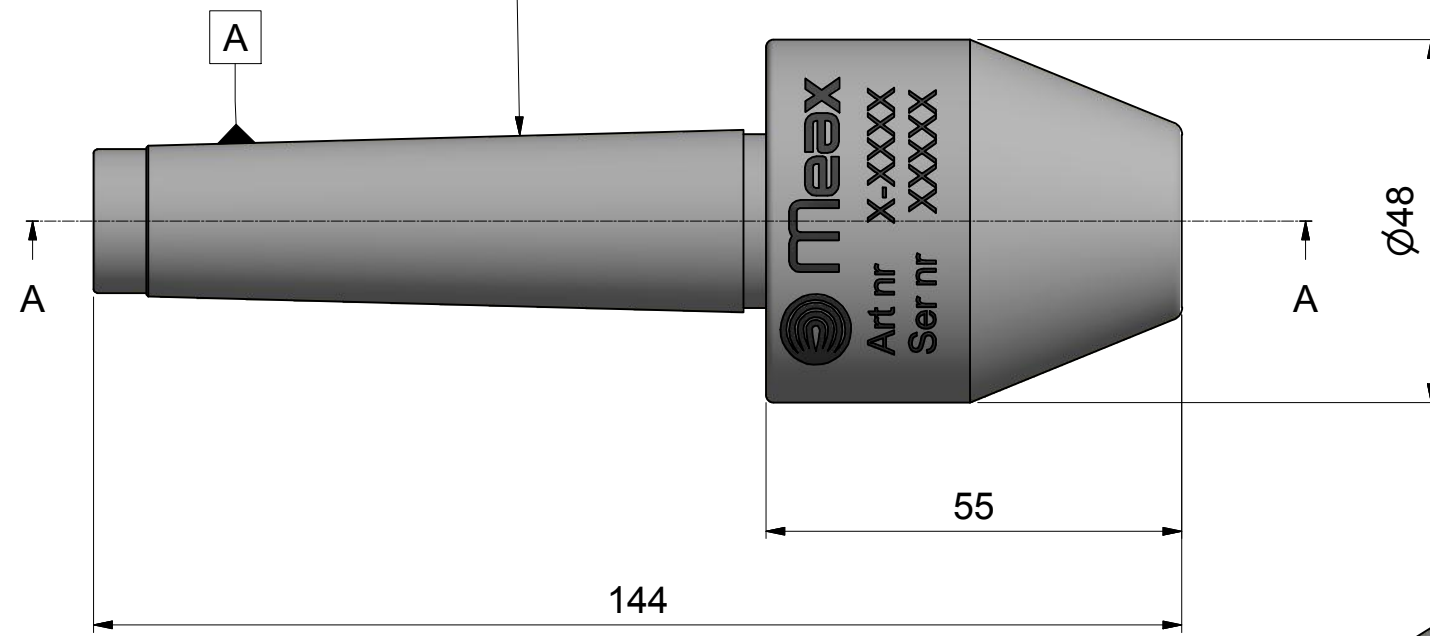


A-A (1:1)



Morse Cone 3



| | | | | | | | |
|-------------------|------------|-------------|--|----------------------------------|------------------------|----------------|-------|
| Material | | - | | Ytjämnhet R _a | | - | |
| Ytbehandling | | - | | Surface roughness R _a | | - | |
| Surface treatment | | - | | Skala | | - | |
| Skala | | - | | Vyplacering | | View placement | |
| Konstruktör | MAX | Godkänd av | | Generell tolerans | SS-ISO 2768 | | |
| Designer | | Approved by | | General tolerance | - | | |
| Datum | 2016-09-01 | Datum | | Format | A3 | Sida | 1 (1) |
| Date | | Date | | Benämning | Toolholder diam 16 MC3 | | |
| | | | | Description | | | |
| | | | | Ritningsnummer | D-0119 | | Rev. |
| | | | | Drawing number | | | - |

| | | | |
|------|-------------------------|------------|-------|
| Pos. | Beskrivning/Description | Datum/Date | Sign. |
|------|-------------------------|------------|-------|

