

A

B

C

D

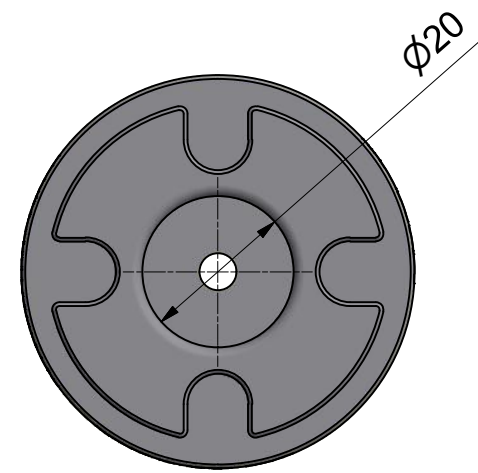
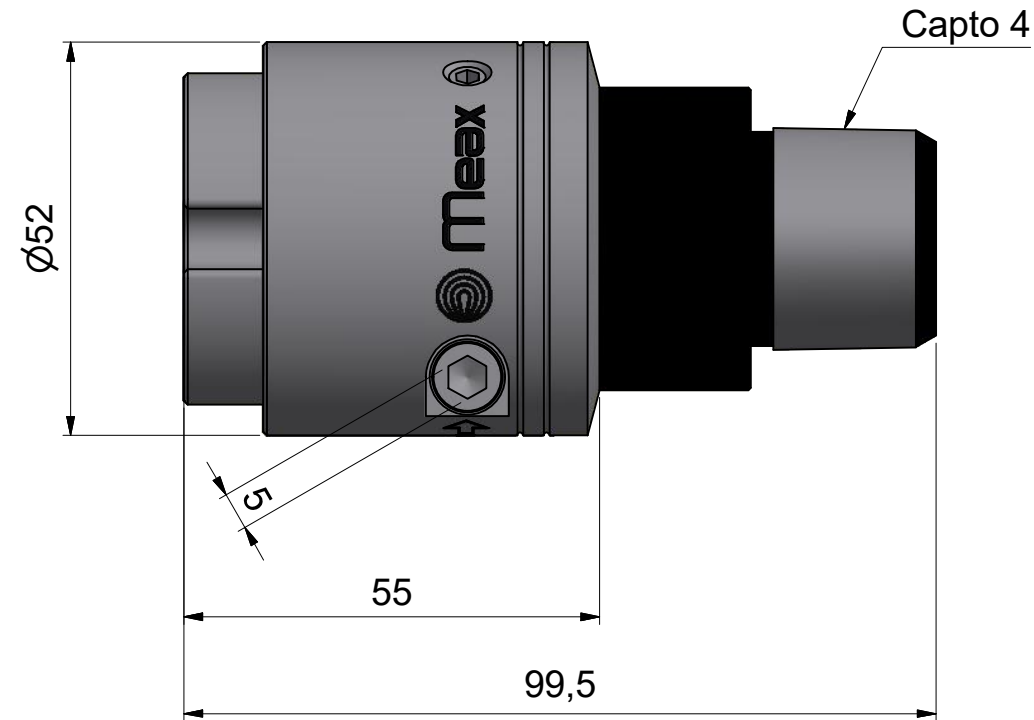
E

F

G

H

i



Pos.	Beskrivning/Description	Datum/Date	Sign.
------	-------------------------	------------	-------

Material		-		Ytjämnhet $R_a$		-	
Ytbehandling		-		Surface roughness $R_a$		-	
Konstruktör		MAX		Godkänd av		Psa	
Designer		-		Generell tolerans		SS-ISO 2768	
Datum		2018-05-23		Datum		2018-06-11	
Date		-		Date		-	
Vyplacering		A3		View placement			
Format		-		Sida		1 (1)	
Page		-		Rev.		-	
		Benämning		Indexing toolholder Capto 4			
		Description					
		Ritningsnummer		D-0131			
		Drawing number					

This document must not without the consent of Acoem be altered, copied, used for manufacturing or disclosed to any third party.